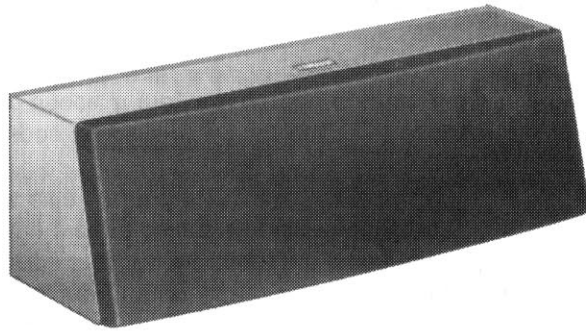


# YAMAHA®

## Center Channel Speaker System

NS-AC142

Thank you for selecting a YAMAHA Center Channel Speaker System.



Out of the hundreds of loudspeaker manufacturers, Yamaha is the only one that also makes musical instruments. Yamaha audio components and speakers can be found in the homes and recording studios of audiophiles and industry professionals alike. No other company is an intimately involved with the production and reproduction of fine music.

### Owner's Manual

CONTENTS	
Cautions .....	2
Connections to Amplifier.....	2
Installation.....	3
Specifications .....	3
Warranty .....	4

#### IMPORTANT:

Please record the serial number of your unit in the space below.

Model:  
Serial No.

The serial number is located on the rear of the unit.  
Retain this Owner's Manual in a safe place for future reference.

**CAUTIONS:  
READ THIS BEFORE OPERATING YOUR UNIT**

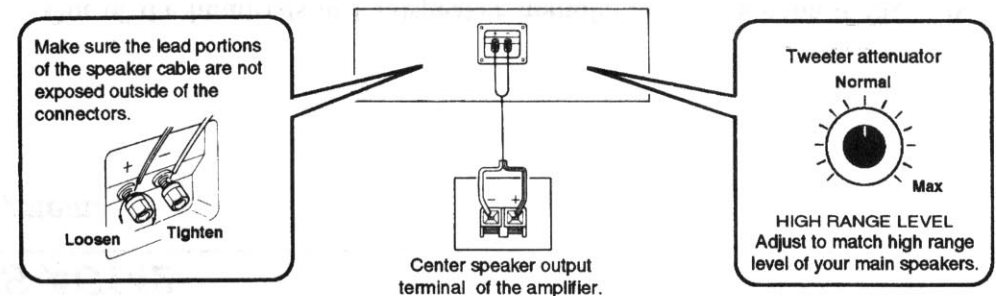
- In order to maintain the speaker cabinet's finish, prevent it from coming into contact with water vapor, alcohol, benzene, insecticide, etc. Do not place plastic coverings on top of the speakers as the color could come off and stick to the finish. To clean, wipe with a dry, soft cloth.
- To prevent the enclosure from warping or discoloring, do not place the speakers in places where they will be exposed to direct sunlight or excessive humidity.
- Do not place the speaker where they are liable to be knocked over or exposed to falling objects. Furthermore, stable placement will also ensure good sound.
- Placing the speakers on the same stand or shelf as the turntable can cause howling.
- These speakers feature a magnetically shielded design, but there is still a chance that placing them too close to a TV set might impair the picture colors. Should this happen, place the speaker away from the TV set.
- Never touch the speaker units with your hands or expose them to excessive shock. If they are dented or bent, the sound will be distorted as well.
- When an amplifier with a rated output power higher than the recommended power of the speaker system is used, care should be taken never to exceed the speaker's maximum power input.
- Connections to the amplifier speaker terminals depend on the particular amplifier you are using. Please check the amplifier's owner's manual before making speaker connections.
- To avoid any damage to the speaker system or amplifier, make sure to turn off the power of the amplifier when making speaker connections.

**CONNECTIONS TO THE AMPLIFIER**

- Before making connections, make sure that the amplifier is switched off.
- **CONNECTIONS**
- Using speaker cable supplied, connect the center speaker output terminal of the amplifier and the input terminal of the back panel of this unit.
  - Connect the (+) terminals on both amplifier and speaker. Connect the (-) terminals on both amplifier and speaker.
  - Reversing polarity (+/-) will result in unnatural sound reproduction.

■ **NS-AC142 PROCEDURE**

1. Loosen the speaker terminals by turning the knobs counterclockwise.
2. Insert the lead portions of the speaker cable into the terminal holes.
3. Tighten the speaker terminals by turning the knobs clockwise.
4. Lightly pull the speaker cable to make sure the connections are secure.

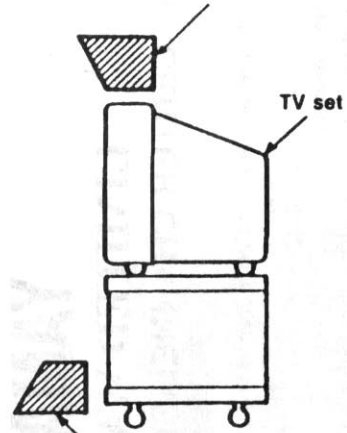


## INSTALLATION

### 1. When installing the unit on top of the TV set or on the floor:

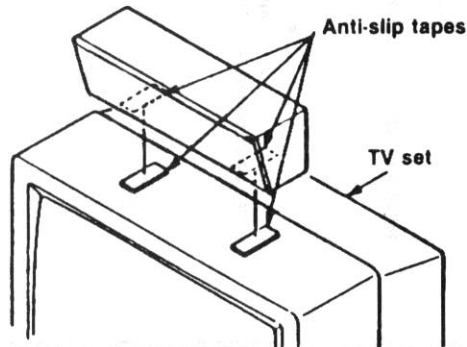
The front baffle plate has an angle of about 15°. It should face as shown below when placing the unit on the TV set and on the floor respectively (i.e., the top and bottom of the unit should be inverted).

When installing the unit on TV set



When installing on the floor

2. When installing the unit on the TV set, fix it securely by using anti-slip tapes (i.e., VELCRO fastening tape) to prevent it from turning over, falling down, etc. The anti-slip tape consists of two pieces. Attach one to the top of the TV set and the other to the bottom of the unit as illustrated below.



## SPECIFICATIONS

<b>MODEL</b>	<b>NS-AC142</b>
<b>Type</b>	Acoustic Suspension Magnetically-Shielded
<b>Speaker-Woofer</b>	5 1/4" Polypropylene Cone X2
<b>Speaker-Tweeter</b>	1" Neodymium High Tech Urethane Foam Laminated Cloth Dome with Wide Dispersion Design
<b>Frequency Response (Hz - KHz)</b>	60-20
<b>Nominal Impedance (OHMS)</b>	8
<b>Sensitivity (dB/w/m)</b>	90
<b>Recommended Minimum Amplifier Power</b>	10
<b>Recommended Maximum Amplifier Power</b>	160
<b>Dimensions (HxWxD)</b>	6 5/16" x 19" x 7 7/16"
<b>Net Weight</b>	11 lbs. 8 ozs.
<b>Accessories:</b>	10 Ft. (3.0m) Speaker Cable

\*Specifications subject to change without notice due to product improvements.

YAMAHA products are designed and manufactured to provide a high level of trouble-free performance. YAMAHA Electronics Corporation, USA, is proud of the experienced craftsmanship that goes into each and every YAMAHA product. YAMAHA sells its products through a network of high quality, specially authorized dealers and is pleased to offer the following Limited Warranty, which applies only to products purchased from our authorized dealers. YAMAHA products are backed by a nationwide network of high quality YAMAHA authorized Service Centers, providing prompt, courteous, and professional service. We suggest that you read the Limited Warranty thoroughly, and invite you to contact your authorized YAMAHA dealer or the YAMAHA Electronics Corporation, USA, Service Department if you have any questions.

# **YAMAHA®**

## **LIMITED WARRANTY**

### **CENTER CHANNEL SPEAKER SYSTEM**

#### **Duration of Warranty:**

Beginning from the date of first consumer purchase, this Center Channel Speaker System is covered by this warranty for the period listed below:

<b>Model</b>	<b>Duration of Warranty</b>
NS-AC142	2 years

#### **What is Covered and What is Not Covered?**

This warranty covers all defects in materials or workmanship in this product, but DOES NOT COVER the following:

- (1) Damage, deterioration or malfunction resulting from:
  - a. Accident, negligence, misuse, abuse, improper installation or operation or failure to follow instructions contained in your Owner's manual.
  - b. Any shipment of the product. (Claims must be presented to the carrier).
  - c. Repair or attempted repair by anyone other than Yamaha or an authorized *Preferred Customer* Service Center.
- (2) Any unit which has been altered or on which the serial number has been defaced, modified or removed.
- (3) Normal wear and any periodic maintenance.
- (4) Any unit which has not been purchased from an authorized YAMAHA dealer in the U.S.A. If you are uncertain as to whether a dealer has been authorized by YAMAHA, please contact YAMAHA's Service Department.
- (5) Any unit used for industrial or commercial purposes.

#### **Who may enforce the warranty:**

This warranty is enforceable only by the original purchaser.

#### **What we will pay for and what you must pay for:**

YAMAHA will repair or replace units covered by this warranty, without charge to the consumer for labor or materials. YOU ARE RESPONSIBLE FOR ANY INSTALLATION OR REMOVAL CHARGES AND FOR ANY INITIAL SHIPPING CHARGES, if the components must be shipped for warranty service. However, we will pay the return shipping charges to any destination within the U.S.A. if the repairs are covered by the warranty.

#### **How you can get Warranty Service:**

- (1) If your Loudspeaker requires service, return it to an authorized Yamaha *Preferred Customer* Service Center. If this is not practical, contact the Yamaha Electronics Service Department at the address shown below.
- (2) Loudspeakers shipped for service should be packed securely and must be accompanied by a detailed explanation of the problem(s) requiring service, as well as your sales receipt, as proof of warranty coverage.
- (3) Warranty registration is not required for warranty coverage.

#### **Limitation of Implied Warranties:**

ANY IMPLIED WARRANTIES, INCLUDING WARRANTIES OF MERCHANTABILITY AND FITNESS FOR A PARTICULAR PURPOSE, ARE LIMITED IN DURATION TO THE LENGTH OF THIS WARRANTY.

#### **Exclusion of Damages**

YAMAHA'S LIABILITY, FOR ANY DEFECTIVE PRODUCT IS LIMITED TO REPAIR OR REPLACEMENT OF THE PRODUCT, AT OUR OPTION. YAMAHA SHALL NOT BE LIABLE FOR INCIDENTAL OR CONSEQUENTIAL DAMAGE OR DAMAGES OF ANY OTHER KIND OR CHARACTER BECAUSE OF PRODUCT DEFECTS.

SOME STATES DO NOT ALLOW LIMITATIONS ON HOW LONG AN IMPLIED WARRANTY LASTS AND/OR DO NOT ALLOW THE EXCLUSION OR LIMITATION OF INCIDENTAL OR CONSEQUENTIAL DAMAGES, SO THE ABOVE LIMITATIONS AND EXCLUSIONS MAY NOT APPLY TO YOU.

THIS WARRANTY GIVES YOU SPECIFIC LEGAL RIGHTS, AND YOU MAY ALSO HAVE OTHER RIGHTS WHICH VARY FROM STATE TO STATE.

**For the nearest authorized YAMAHA *Preferred Customer* Service Center please call:  
1-800-4YAMAHA**

**Should you have any questions about service received or if you need assistance in locating an authorized Yamaha Dealer, please contact:**

**YAMAHA®**  
SERVICE DEPARTMENT

**YAMAHA ELECTRONICS CORPORATION, USA**

6680 ORANGETHORPE AVENUE, BUENA PARK, CALIFORNIA 90620 • MAIL ADDRESS: P.O. BOX 6680, BUENA PARK, CALIFORNIA 90622 • PHONE: (714) 522-9105

YAMAHA products are backed by a nationwide network of high quality YAMAHA authorized Service Centers, providing prompt, courteous and professional service.